

General Information

1994
Video: 4 Heads Rotary
1 Flying Erase Head
Audio: 2 Heads Rotary
Fixed Head 1 CH

Matrix

Item	See Model
Mechanical Parts View	Akai VS-G215
Mechanical Adjustments	Akai VS-G215
Mechanical Block 3	Akai VS-G215
Error Announcements	Akai VS-G715
Audio Level Preset	Akai VS-G815
Removal Door Block	Akai VS-G815
Installation of Upper Drum	Akai VS-G715
Electrical Adjustments	Akai VS-G715
Main 2/3 - RF/Power & I/O	Akai VS-G815
Main 3/3 - Servo/Syscon	Akai VS-G815
Pre Amp/HiFi Audio	Akai VS-G815
Power Supply	Akai VS-G215
VPST/PDCT	Akai VS-G815
Input/Output	Akai VS-G815
D-NICAM	Akai VS-G715
D-MULTI	Akai VS-G715
NTSC	Akai VS-G815
CDR	Akai VS-G415
VIF Unit	Akai VS-G715
Other VIF Unit	Akai VS-G74
Remote Control	Akai VS-G415

Recommended Safety Parts

Item	Part No.	Description
C1-C2	EC-422101J	C MMY V CUT MKTR40 104M 275AC
C3-C9	EC-418706J	C CE V CUT CS11 E222M 400AC
C11	EC-422103J	C EC V CUT TWSS 470M 400.ODC
C12	EC-422103J	C CE V TO5 FK22 Y5R103K 500DCEC-422103J
C13	EC-418759J	C CE V TO5 CC45 SL121K1000DC
C15	EC-418841J	C MMY V TO5 ECQ-VL2 333J 50DC
C23	EC-425398J	C Double FYD0H473Z 5.5DC
D1-D4	ED-422125J	D Silicon 1N4006 T26 800/1.0A
D5	ED-418976N	D Silicon EGO1CW TO5 1000/0.5A
D25-D27	ED-422420J	D Zener MTZJ20C T26
D202	ED-422519J	D Zener MTZJ4.3B T26
D404-D407	ED-511907	D Silicon 1N4002 100/1.0A
FR2	ER-307565	R Fuse H S10 ERD2FC1/4W 6R8J
FR3	ER-400729J	R Fuse V TO5 RF25SCVTP1/4WR47K
FR121	ER-408963J	R Fuse V TO5 RF25SCVTP1/4WR33K
FR201	ER-408829J	R Fuse V TO5 RF25SCVTP1/4 WR11K
FR202	ER-400728J	R Fuse V TO5 RF25SCVTP1/4 WR12K
FR401	ER-418648J	R Fuse V TO5 RF25SCVTP1/4 WR24K
FR403	ER-400729J	R Fuse V TO5 RF25SCVTP1/4 WR47K
FR404	ER-397385J	R Fuse V TO5 RF25SCVTP1/4 WR20K
IC2	EI-422131J	IC AN7809F
IC201	EI-418723J	ICNJM4558DX
L1	EO-339907	Coil LF FKOB160MH16 1000.OUH(EOG)
L2	EO-418689J	Coil LF.4DA-333
L201/L202	EO-422134J	Coil Fix 2 PC7-330K 330K
PH1	ET-422113J	Photo Coupler PS2561-1-V
R1	ER-418739J	R CT P RGG3 3W 4R7K
R2	ER-422181J	R OMF H S20FS ERG3SH 3W 823J
R6	ER-422186J	R OMF H S15 PRO2 2W 151J
R7	ER-411836J	R OMF H S15 FS 2W 1ROJ
R27	ER-386215J	R OMF H S12 FS 1W 220J
T1	BT-422117N	Trans POW V1190 EOG
TR1	ET-422118J	TR 2SC4304 O Y
TR2	ET-422129J	TR 2SD2132 U.V TO5
TH201	EX-412521J	Thermistor 911P83E101NH07 TO5
TR203	ET-404498J	TR 2SB1306 Q.R, TO5
TR205/411	ET-422154J	TR 2SB1426 Q.R TO5
TH1	EX-405691J	Thermistor NTH5D332KA

Service Adjustments

Replacement of the Upper Drum

Removal of the UPPER DRUM

- 1: Unsolder the fourteen relay leads and remove the two upper drum fixing screws as shown in Fig.1.
- 2: Gently lift and remove the UPPER DRUM

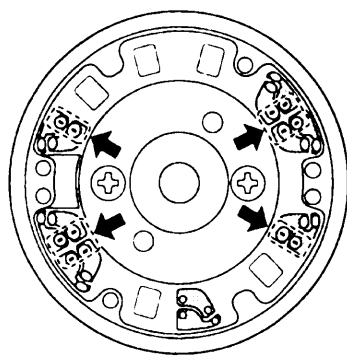


Fig 1.

Note:
See Matrix for other adjustments

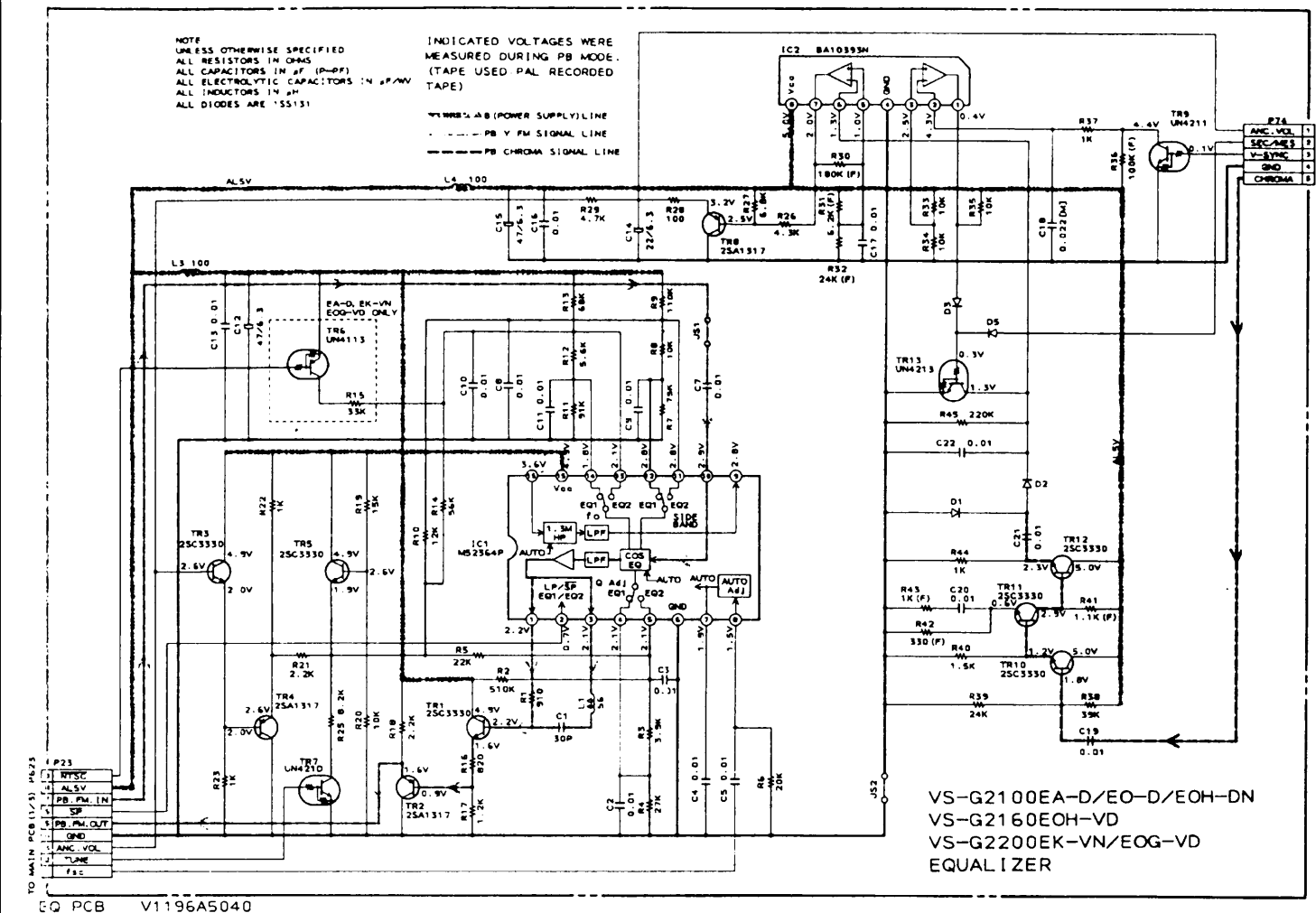
Mechanical Parts List

Description	Part No.
Arm Coupling	ML-420033N1
Arm Idler Part	MI-420023N1
Arm Lid Opener	ML-420170N
Arm Loading BLK G204EA	BL-424913NO4
Arm Loading Brake	ML-420097N1
Arm Pinch Roller Part	BL-420054N2
Arm Review Part	ML-420068N1
Arm Tension Part	ML-420006N1
Belt Capstan	MB-420053N
BID26X08STL CMT	ZS-563444
BID30X03STL CMT	ZS-425981
BID30X08STL CMT	ZS-321298
Capstan Brake Part	ML-420126N1
Cassette Load BLK G204EA	BV-424919NO4
Chassis Drum	MA-420191J2
Disk Clutch (2) Part	MI-420145N
Disk Coupling	MI-420037N
Disk(2) PART	MT-424632N1
Earth Brush (2) Part AG	VT-418700J1
Gear Cam Helical	MZ-420064N
Gear Cam Main	MZ-420122N
Gear Cam Pinch (2)	MZ-420328N2
Gear Coupling	MZ-420035N
Gear Front Loading	MZ-420124N1
Gear Pinch	MZ-420067N
Gear Toggle (S)BLK G204EA	MZ-424917NO1
Gear Toggle (T)BLK G204EA	MZ-424916NO2
Gear Worm Wheel	ML-420123N
Guide Roller D8 PART	VT-387394J1
Head Combo HVMZA1161A	HR-416732J1
Head E HVFHF0032A	HE-422168J
Holder Gear BLK G405EA	BV-424907NO0
Holder Pinch	MZ-420065N2
Holder Thrust Worm	MR-420109N
Leader (S) BLK G204EA	BV-424914NO1
Leader (T) BLK G204EA	BV-424915NO1
Lever M Brake	ML-420099N1
Lever Pinch	ML-420061N2
Lever REC-S	ML-420133N
Lever Tension (1) Part	ML-420416N2
Lever Winder Part (SG)	ML-420138N1
Lower Drum BLK G2100EA-D	BV-V1182A410E
Main Brake (S) Part	ML-420086N1
Main Brake (T) Part	ML-420089N1
Mecha Deck G405EA	BB-421845N38
Motor Part	BM-421746N
Motor SCV-0602A	BM-419269N
Motor SDV-0302A	BM-419324J1

Head Motors and Miscellaneous

Part No.	Description
BV-V1182A420G	Upper Drum BLK G2100EA-D
BV-V1182A410E	Lower Drum BLK G2100EA-D
BM-419324J1	Motor SDV-0302A
BM-421746N	Motor Part
BM-419269N	Motor SCV-0602A
HE-422168J	Head E HVFHF0032A
HR-416732J1	Head Combo HVMZA1161A

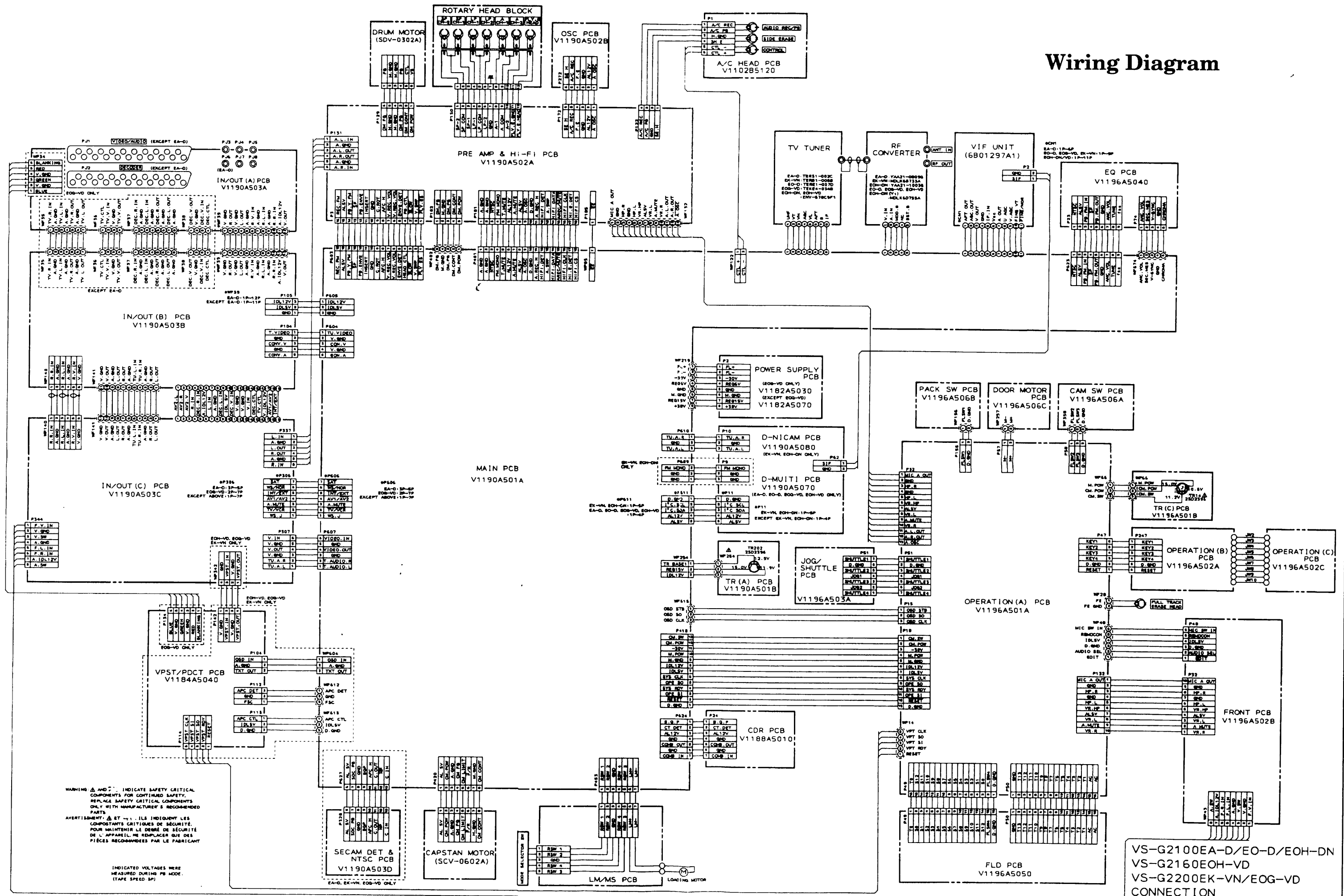
Equaliser Diagram



VS-G2100EA-D/EO-D/EOH-DN
 VS-G2160EOH-VD
 VS-G2200EK-VN/EOG-VD
 EQUALIZER

Description	Part No.	Description	Part No.	Description	Part No.
N3C Nylon	ZW-350839	Pulley Trigger	MR-420106N	SP Pull Tension (1)	ZG-420015N1
PAN20X2.2STL BZN PS1	ZS-418480J	PW16X035X025PSL	ZW-418619J	SP Pull Toggle	ZG-420117N
PAN20X2.8STL		PW21X040X050PSL	ZW-321317	SP Pull Winder (SG)	ZG-420144N
CMT PS1 Leader	ZS-418616J	PW26X060X050PSL	ZW-389923J	SP Push A/C(2)	ZG-424556J
PAN26X04STL CMT	ZS-432843	PW31X060X050PSL	ZW-324417	SP Push Coupling	ZG-420036N
PAN26X07STL CMT CP	ZS-422170J			SP Torsion C,B	ZG-420129N1
PAN26X08STL N13	ZS-550708	Reel Washer (SG)	ZW-424667N	SP Torsion Coupling	ZG-420034N2
PAN26X12STLCMT	ZS-467796	Review Brake Part	ML-420092N1	SP Torsion REC-S	ZG-420134N
PAN30X06STL CMT S-GRIP	ZS-425694J	Roller Impedance	MR-420022N	SP Torsion Review	ZG-420071N1
Plate Upper	MZ-420172N			SP Torsion Slider	ZG-420169N1
PRISM LED	MZ-420132N1	Slide S-SW	ML-420135N	SP Trigger	ZG-420105N
PT BID26X10STL CMT	ZS-389950J	Slider Front Loading	ML-420168N1	ST BID26X06STL CMT	ZS-383761J
		Slider Pinch	ML-420110N1	ST BID30X05STL CMT	ZS-427136J
		Slider Trigger	ML-420101N	ST BID30X06STL CMT	ZS-358936
		SLIT W1.25X040X025 PSL	ZW-418855J	ST BID30X12STL CMT	ZS-336714
		SLIT W16X035X025 PSL	ZW-395919J	ST PAN30X05STL	
		SLIT W21X050X050 PSL	ZW-418816J	CMT C080	ZS-362533
		Socket TKC-MO7X-A1 7P	EJ-422169J	SW Mode Select	
		SP Platte Upper	ZG-420162N	MMS00202ZMB0	ES-419326N1
		SP Pull Demper(S)	ZG-420166N		
		SP Pull Demper (T)	ZG-420167N	Tension Band Part	MZ-420016N1
		SP Pull Loading Brake	ZG-420098N		
		SP Pull Main Brake	ZG-420091N	Upper Drum BLK G2100EA-D	BV-V1182A420G
		SP Pull Pinch	ZG-420062N		
		SP Pull Review Brake	ZG-420095N		

Wiring Diagram



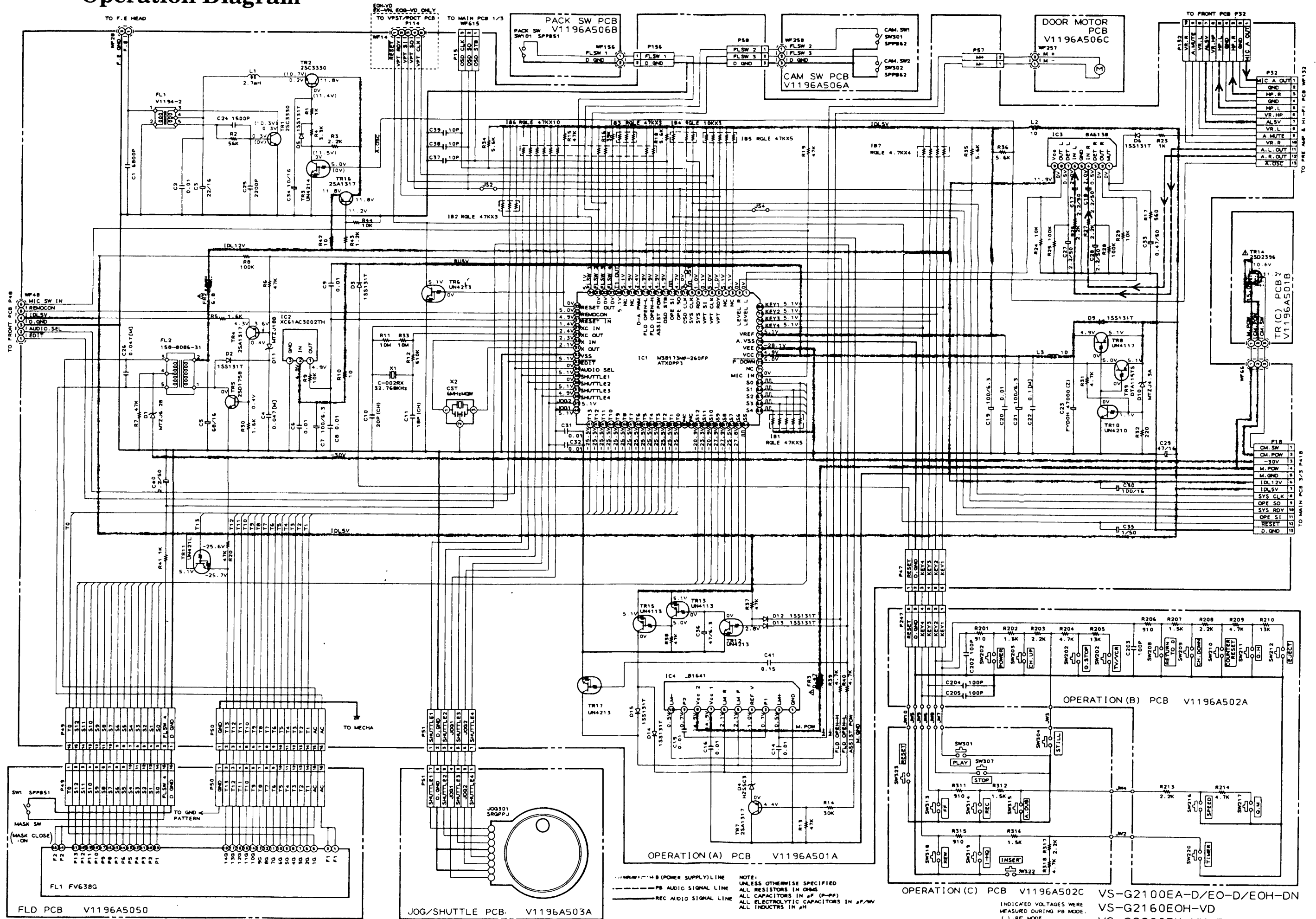
WARNING: A and B indicate safety critical components for continued safety. Replace safety critical components only with manufacturer's recommended parts.

AVERTISSEMENT: A et B indiquent les composants critiques de sécurité. Pour maintenir le degré de sécurité de l'appareil, ne remplacer que des pièces recommandées par le fabricant.

INDICATED VOLTAGES WERE MEASURED DURING PB MODE. (TAPE SPEED SP)

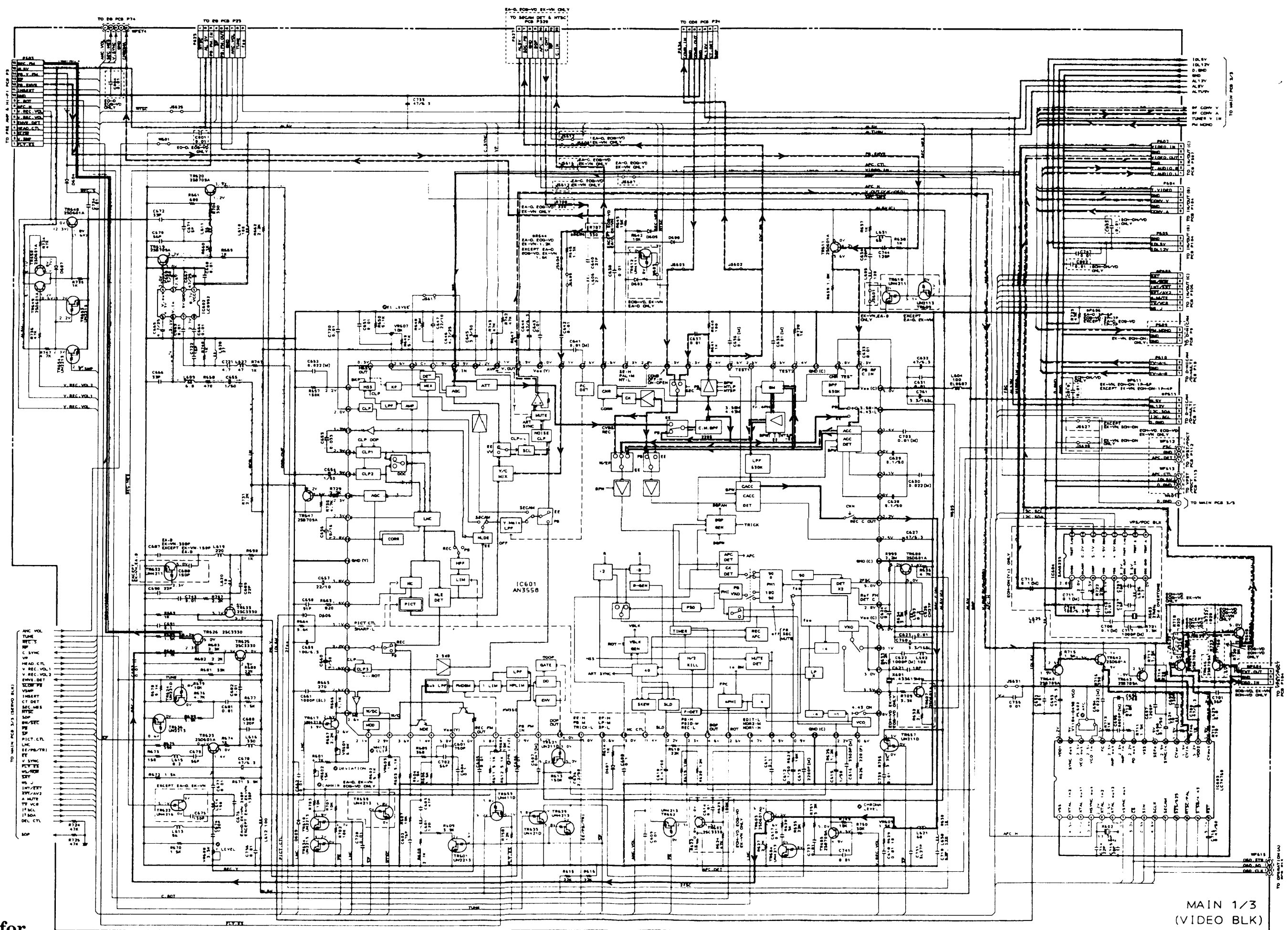
VS-G2100EA-D/EO-D/EOH-DN
 VS-G2160EOH-VD
 VS-G2200EK-VN/EOG-VD
 CONNECTION

Operation Diagram



Main Diagram 1/3

See Matrix for other Main Diagrams



MAIN PCB V1190A501A

POWER SUPPLY LINE
 PE SIGNAL LINE
 REC V SIGNAL LINE
 PE CHROMA SIGNAL LINE
 REC CHROMA SIGNAL LINE
 PE AUDIO SIGNAL LINE
 REC AUDIO SIGNAL LINE

NOTE:
 UNLESS OTHERWISE SPECIFIED
 ALL RESISTORS IN OHMS
 ALL CAPACITORS IN μF (UNLESS
 OTHERWISE SPECIFIED)
 ALL ELECTROLYTIC CAPACITORS IN μF/50V
 ALL INDUCTORS IN mH
 ALL DIODES ARE 1N5517

INDICATED VOLTAGES WERE
 MEASURED USING PE METER
 ALL REFS ARE
 TAPE USED FOR SIGNALS ARE TAPE
 TAPE SPEED 30

MAIN 1/3 (VIDEO BLK)

VS-G2100EA-D/EO-D/EOH-DN
VS-G2160EH-VD
VS-G2200EK-VN/EOG-VD